

Product data sheet

Characteristics

QOU390

Mini circuit breaker, QOU, 90A, 3 pole, 240 VAC, 10kA

Product availability : Stock - Normally stocked in distribution facility



Main

Product or component type	Miniature circuit-breaker
Range of product	QOU
Circuit breaker type	Standard

Complementary

Line Rated Current	90 A
Electrical connection	Slotted box lugs, line side Slotted box lugs, load side
[Ue] rated operational voltage	120/240 V AC 240 V AC 120 V AC 60 V DC
Mounting mode	Unit mount
AWG gauge	AWG 12...AWG 2/0 aluminium/copper
Height	4.45 in (113.03 mm)
Width	2.25 in (57.15 mm)
Depth	2.95 in (74.93 mm)
Tightening torque	45 lbf.in (5.08 N.m) AWG 12...AWG 2/0)

Environment

Product certifications	CSA UL Listed IEC
------------------------	-------------------------

Ordering and shipping details

Category	00900 - QOU BREAKERS & SWITCH
----------	-------------------------------

* Price is "List Price" and may be subject to a trade discount – check with your local distributor or retailer for actual price.

Discount Schedule	DE2
GTIN	00785901060321
Nbr. of units in pkg.	20
Package weight(Lbs)	20 lb(US) (9.07 kg)
Returnability	Yes
Country of origin	MX

Packing Units

Package 1 Height	3.50 in (8.890 cm)
Package 1 width	2.50 in (6.350 cm)
Package 1 Length	4.80 in (12.192 cm)

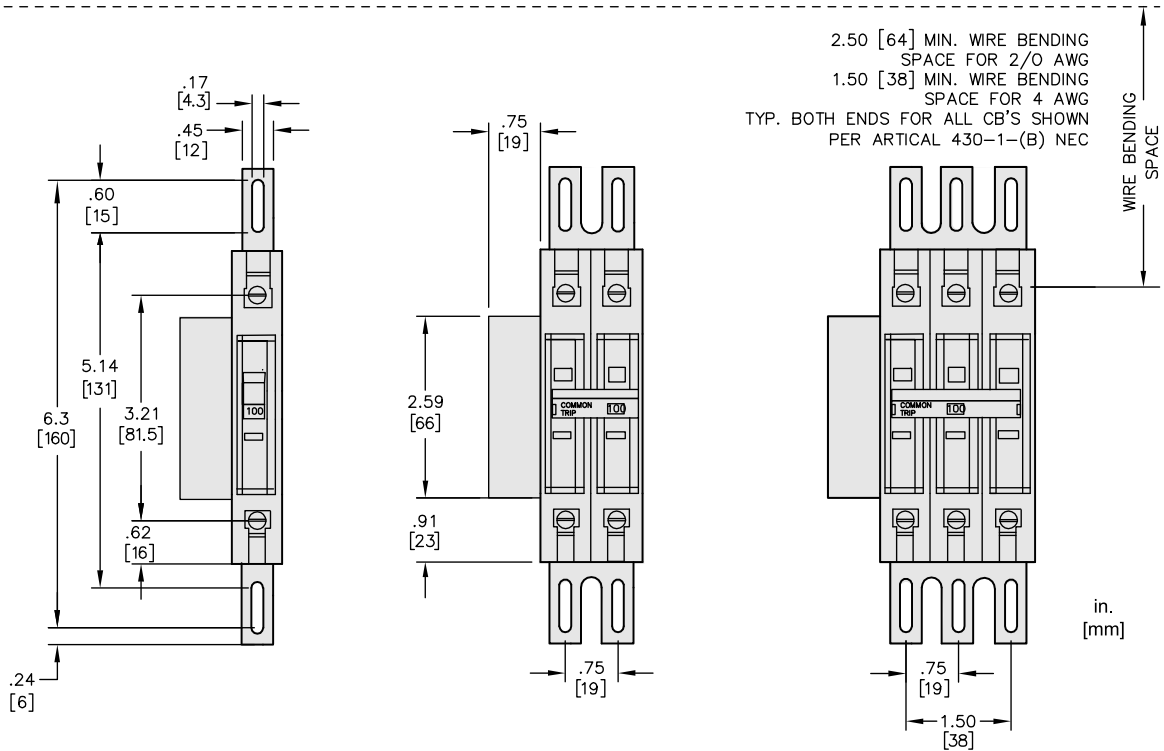
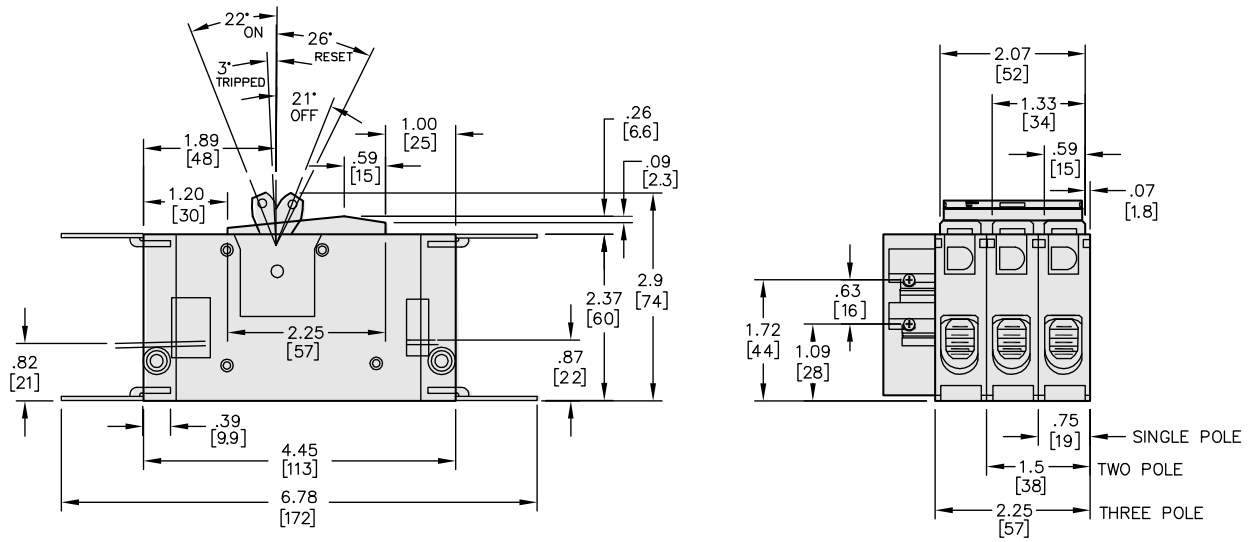
Offer Sustainability

Sustainable offer status	Green Premium product
REACH Regulation	REACH Declaration
REACH free of SVHC	Yes
EU RoHS Directive	Compliant EU RoHS Declaration
Toxic heavy metal free	Yes
Mercury free	Yes
RoHS exemption information	Yes
China RoHS Regulation	China RoHS declaration Pro-active China RoHS declaration (out of China RoHS legal scope)
Environmental Disclosure	Product Environmental Profile
Halogen content performance	Halogen free product

Contractual warranty

Warranty	18 months
----------	-----------

Dimensions



Dimensions are approximate. Refer to technical documentation, dimension drawings, or CAD for detail.